



**TDS PRO.**  
PROFESSIONAL AUDIO SYSTEM  
HTTP://WWW.TDS-PRO.COM

# MP SERIES Professional Audio System

## 多功能工程音箱 Multi-function Speaker Series

MP series speaker is a multi-function series speaker. MPseries can work in club,conference room,middle size live show etc. MP series unique speaker cabinet cooperate with the high quality transducer produce amazing sound. And also the crossover designed delicately by the experienced engineer. All above advantage support the excellent series speaker very well. MP series is a really high cost performance series. This series will start an era for high efficiency speaker.

MP系列产品是针对各种扩声场所应用，如俱乐部，会议多功能厅，中小型演出及厅堂扩声等应用环境而设计的专业扩声系统。该系列产品通过精心的材料优化和计算机辅助设计，在音色上，有很大的表现力，同时也结合了众多实际应用经验，通过大量客户和专家的评价和建议，在充分保证可靠性的前提下，该系列产品通过单元和箱体技术的提升，使该系列产品得到了全新的产品特性，除了具有超强的动态外，在音乐表现力上也非常出色且富有感染力。是一款受用户喜欢的高性价比的产品。



**TDS PRO.**  
PROFESSIONAL AUDIO SYSTEM  
HTTP://WWW.TDS-PRO.COM



## MP12 Two-way 12" Full Range Speaker

### Features:

- ◆ HF driver with 44mm voice coil.
- ◆ Durable 12inch LF transducer with 65mm voice coil.
- ◆ Well-designed grill.
- ◆ High cost performance speaker.

### Applications:

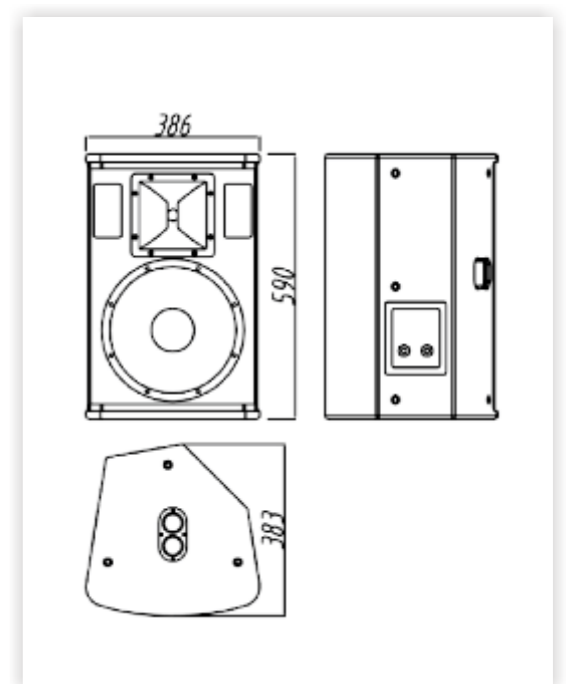
- ◆ Theater sound systems
- ◆ Fixed installation in club.
- ◆ Music playback in nightclub.

### 应用领域:

- 俱乐部 ● 会议多功能厅 ● 中小型演出及厅堂扩声等应用场所

### 技术参数 TECHNICAL PARAMETERS

- 系统类型 System Type: 2-way 12" full range
- 频率响应 Frequency Response: 50Hz-20KHz ±3 dB
- 指向性 Dispersion (H×V): 90° × 50°
- 承受功率 Handling Power: 250W(RMS)/500W(PEAK)
- 灵敏度级 Sensitivity: 98 dB
- 声压级 MAX.SPL.: 125 dB
- 标称阻抗 Impedance: 8 Ohms
- 吊挂系统 Suspension: Yes
- 产品尺寸 Dimensions: W386×H590×D383(mm)
- 产品净重 Weight(net): 20kg



Professional Audio System Multi-function Speaker Series

# MP SERIES



## MP15

### Two-way 15" Full Range Speaker

#### Features:

- ◆ HF driver with 1.5inch throat & 75mm voice coil.
- ◆ 15inch LF transducer with 75mm voice coil.
- ◆ Multi-function rigging points.
- ◆ Well-designed grill.

#### Applications:

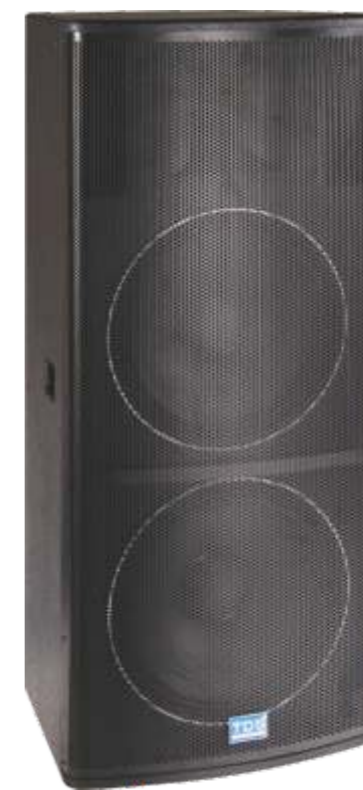
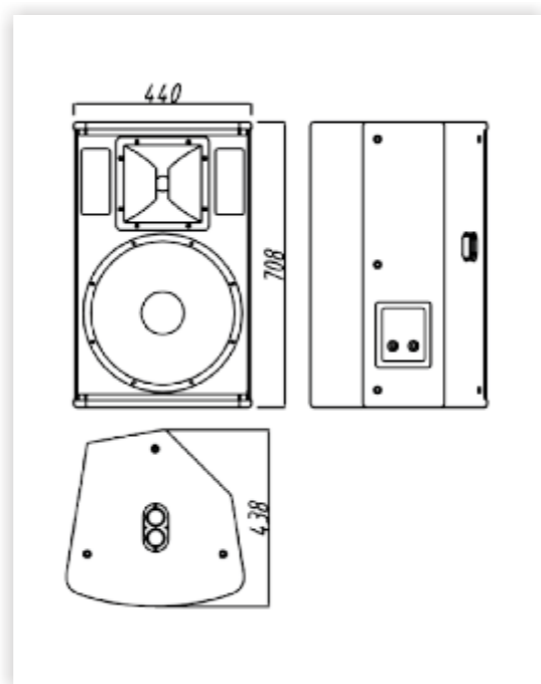
- ◆ Live club performance.
- ◆ High powered stage monitoring.
- ◆ Stage monitor.

#### 应用领域:

- 俱乐部 ● 会议多功能厅 ● 中小型演出及厅堂扩声等应用场所

#### 技术参数 TECHNICAL PARAMETERS

产品型号	Model: MP15
系统类型	System Type: 2-way 15" full range
频率响应	Frequency Response: 47Hz-20KHz ±3 dB
指向性	Dispersion (H×V): 90° × 50°
承受功率	Handling Power: 350W(RMS)/700W(PEAK)
灵敏度级	Sensitivity: 99 dB
声压级	MAX.SPL.: 127 dB
标称阻抗	Impedance: 8 Ohms
吊挂系统	Suspension: Yes
产品尺寸	Dimensions : W440×H708×D438(mm)
产品净重	Weight(net): 27kg



## MP215

### Two-way 2x15" Full Range Speaker

#### Features:

- ◆ High efficiency compression driver with 75mm voice coil.
- ◆ Dual powerful 15inch LF transducer
- ◆ Very high SPL.
- ◆ Well-designed grill

#### Applications:

- ◆ Music and speech reinforcement.
- ◆ Live performance stage monitoring.
- ◆ High-performance satellite speaker for use with subwoofers.

#### 应用领域:

- 俱乐部 ● 会议多功能厅 ● 中小型演出及厅堂扩声等应用场所

#### 技术参数 TECHNICAL PARAMETERS

产品型号	Model: MP215
系统类型	System Type: 2-way 2x15" full range
频率响应	Frequency Response: 43Hz-20KHz ±3 dB
指向性	Dispersion(H×V): 90° × 50°
承受功率	Handling Power: 700W(RMS)/1400W(PEAK)
灵敏度级	Sensitivity: 102 dB
声压级	MAX.SPL.: 132 dB
标称阻抗	Impedance: 4 Ohms
吊挂系统	Suspension: N/A
产品尺寸	Dimensions:W471×H1125×D485(mm)
产品净重	Weight(net): 38kg

